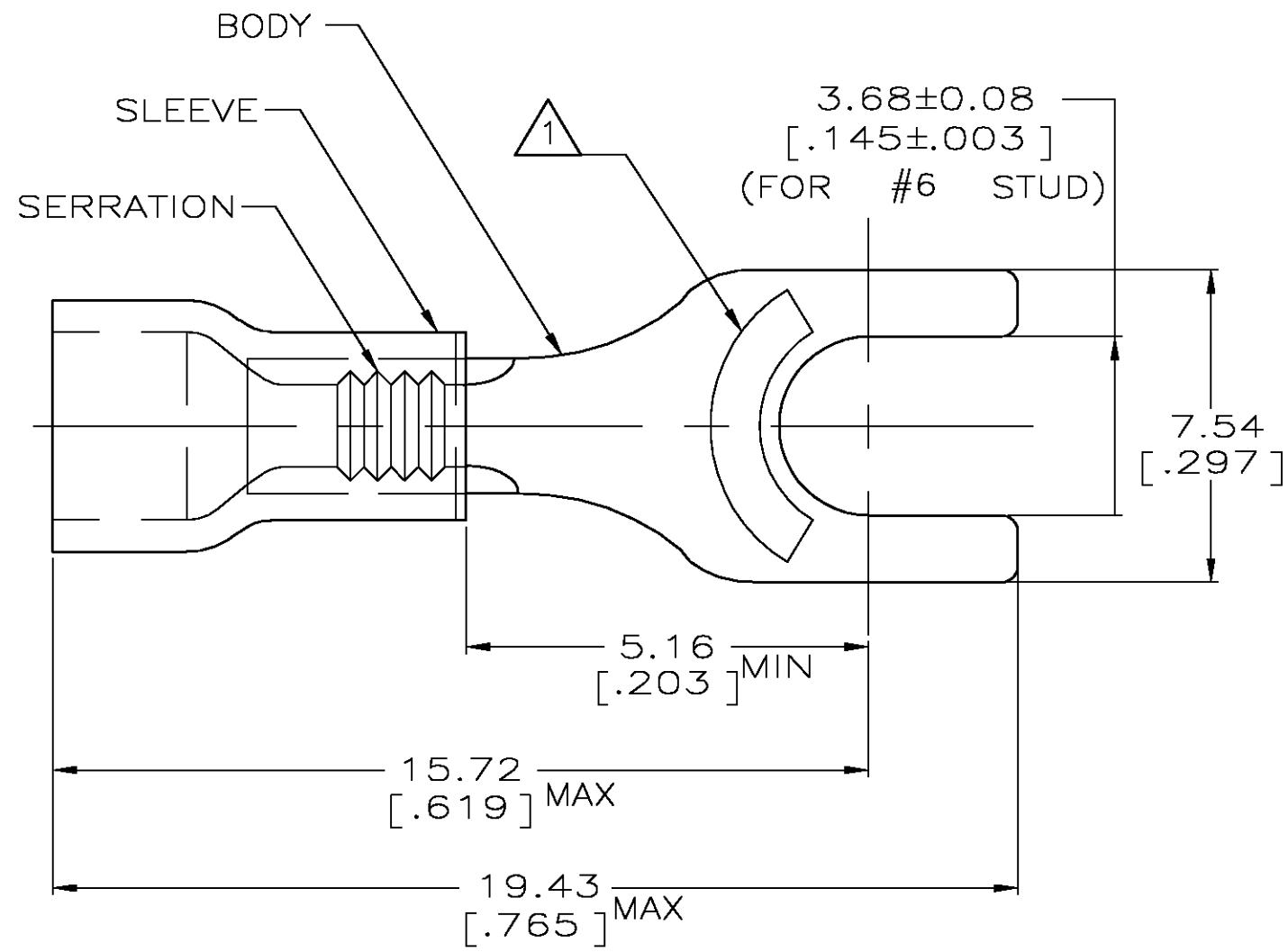


THIS DRAWING IS UNPUBLISHED. RELEASED FOR PUBLICATION  
 © COPYRIGHT BY TYCO ELECTRONICS CORPORATION. ALL RIGHTS RESERVED.

LOC	DIST	REVISIONS			
P	LTR	DESCRIPTION	DATE	DWN	APVD
G	14	G	REV PER 0G3A-0654-04	19AUG04	JR TM

<b>AMP</b> WIRE RANGE	Listed FILE E13288	LR7189 Certified
16-14 AWG STRANDED	16-14 AWG STRANDED	16-14 AWG STRANDED



- △1 STAMP AMP16-14\* LOCATE APPROX AS SHOWN
- 2. WIRE INSUL DIA, 2.67 TO 3.68 [.105 TO .145]
- 3. TONGUE MATL THK, 0.79 ± 0.05 [.031 ± .002]
- △4 REPLACED BY 322994
- △5 MATERIAL: BODY - COPPER PER ASTM B152  
SLEEVE - PVC, BLUE

QTY	PACKAGE TYPE	PART NO
50	LOOSE PIECE, BAG	8-322994-5
5	LOOSE PIECE, BLS	8-322994-4
100	LOOSE PIECE, BOX	8-322994-1
5000	ON TAPE, REEL	2-322994-1
1000	LOOSE PIECE	322994

**AMP INCORPORATED**  
**CUSTOMER SERVICE SYSTEMS**

FOR ADDITIONAL PRODUCT INFORMATION OR COPIES OF DRAWINGS AND TECHNICAL DOCUMENTS  
 PRODUCT INFORMATION CENTER  
 1-800-522-6752

FOR APPLICATION TOOLING ASSISTANCE CENTER  
 TOOLING INFORMATION  
 1-800-722-1111

FOR ORDER ENTRY  
 1-800-526-5142

MAX RECOMMENDED OPERATING TEMPERATURE:  
 105°C [221°F]

VOLTAGE RATING:  
 600V MAX  
 (1000V FIXTURE OR SIGN)

CIRCULAR MIL AREA:  
 1.04-2.62mm<sup>2</sup> [2,050-5,180]  
 STRANDED

THIS DRAWING IS A CONTROLLED DOCUMENT.

DIMENSIONS: MM [INCHES]

TOLERANCES UNLESS OTHERWISE SPECIFIED:

0 PLC	± -
1 PLC	± -
2 PLC	± 0.20 [.008]
3 PLC	± -
4 PLC	± -
ANGLES	± -

MATERIAL: - △5  
 FINISH: TIN ASTM B-545

DWN: G VINSON 28NOV94  
 CHK: M ELLIS 28NOV94  
 APVD: G NGO 28NOV94

**tyco Electronics** Tyco Electronics Corporation  
 Harrisburg, PA 17105

NAME: TERMINAL, SPADE, PLASTI-GRIP  
 WIRE SIZE: 16-14 AWG

PRODUCT SPEC: UL 486A

APPLICATION SPEC: -

WEIGHT: -

SIZE: A3 CAGE CODE: 00779 DRAWING NO: C-322994 RESTRICTED TO: -

CUSTOMER DRAWING SCALE: 6:1 SHEET: 1 OF 1 REV: G